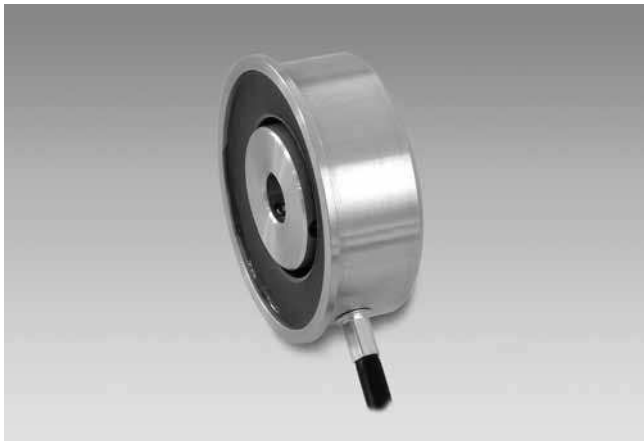


Encoders without bearings - incremental

Blind hollow shaft $\varnothing 10$ to $\varnothing 16$ mm

1...32 pulses per revolution

ITD 27 A 4 Y27



ITD 27 A 4 Y27 with blind hollow shaft

Features

- Encoder with blind hollow shaft $\varnothing 10...16$ mm
- Max. 32 pulses per revolution
- Magnetic sensing
- Mounting on shaft by set screws
- HTL output signals
- Cable output radial
- Sealed electronics

Optional

- Cable with connector

Technical data - electrical ratings

Voltage supply	8...26 VDC
Consumption w/o load	< 20 mA
Sensing method	Magnetic
Pulses per revolution	1...32
Output stages	Push-pull short-circuit proof
Output signals	A 90° B
Reverse polarity protection	Yes

Technical data - mechanical design

Size (flange)	$\varnothing 58$ mm
Motor shaft tolerance	0.25 mm axial 0.1 mm radial
Shaft type	$\varnothing 10...16$ mm (blind hollow shaft)
Protection DIN EN 60529	IP 67 (relating to sealed electronics)
Operating temperature	-30...+85 °C
Operating speed	≤ 12000 rpm
Resistance	DIN EN 60068-2-6 Vibration 10 g, 55-2000 Hz DIN EN 60068-2-27 Shock 100 g, 11 ms
Materials	Housing: aluminium Shaft: aluminium
Relative humidity	90 %
Connection	Cable 1 m
Weight approx.	220 g

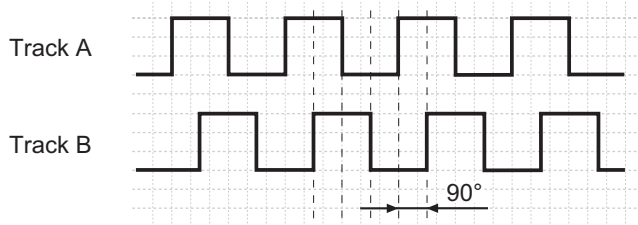
Output signals

Clockwise rotation when looking at the mounting side.

AX-Output signals



BX-Output signals



Terminal assignment

Core colour	Assignment
green	Track A
grey	Track B
brown	UB
white	GND
transparent	Shield/Housing

Encoders without bearings - incremental

Blind hollow shaft $\varnothing 10$ to $\varnothing 16$ mm

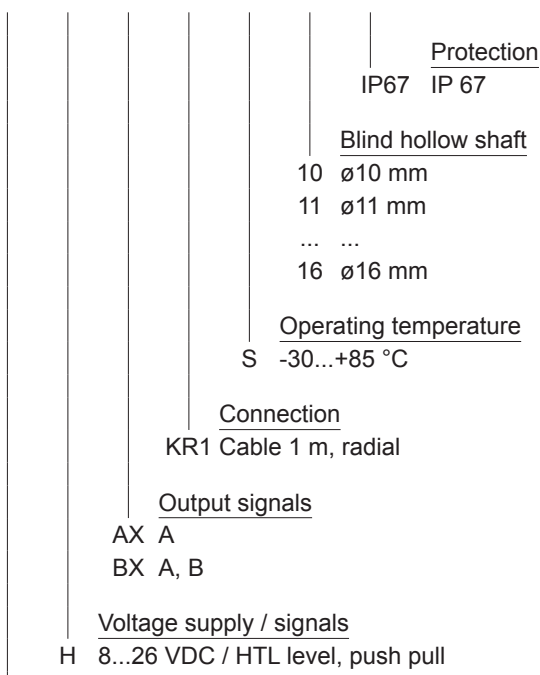
1...32 pulses per revolution

ITD 27 A 4 Y27

Part number

ITD 27 A 4 Y27

	H		KR1	S		IP67
--	---	--	-----	---	--	------



Pulse number - see table

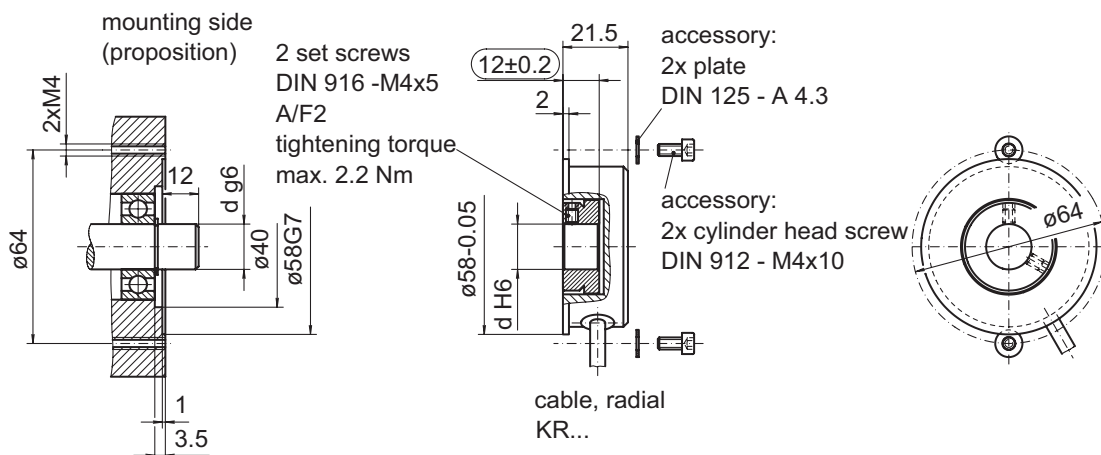
Pulse number

1	8	20
4	16	32

Trigger level

Outputs	Push-pull short-circuit proof
Output level High	$\geq U_B - 3 V$
Output level Low	$\leq 1.5 V$
Load	$\leq 20 mA$

Dimensions



028-12 Y27